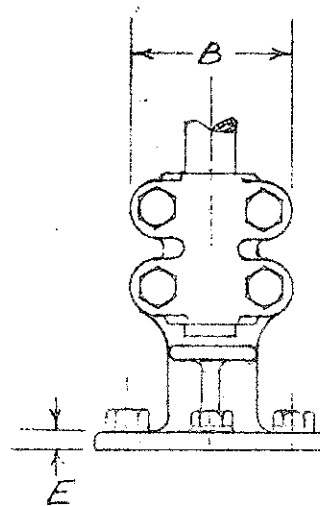


(4) HOLES ON THESE CENTER LINES ARE OMITTED ON ITEMS WITH ASTERISK



REGULARLY SUPPLIED WITH CAP SCREWS AND LOCKWASHERS FOR MOUNTING TO CAP OF INSULATOR. WHEN MOUNTING TO BASE OF INSULATOR IS REQUIRED, ADD "B" TO CATALOG NUMBER TO ASSURE OBTAINING BOLTS, NUTS, AND LOCKWASHERS. EXAMPLE AUDE-06-3-B

MATERIAL: CASTINGS- 356T6 ALUMINUM ALLOY
 CLAMPING HARDWARE - BOLTS - 2024T4 ALUMINUM ALLOY
 WASHERS - 7075-T6 ALUMINUM ALLOY
 NUTS - 6061-T6 WAXED ALUMINUM.
 MOUNTING HARDWARE - GALVANIZED STEEL.

CATALOG NUMBER	BUS SIZE	DIMENSIONS IN INCHES							
		A	B	C	D	E	F	J	K
AUDE-06-3	3/4	2 1/2	3	3	4 1/4	3/8	5 1/2	1/2	9/16 x 3/4
AUDE-10-3	1	2 3/4	3 1/4	2 3/8	4 1/4	3/8	5 1/8	1/2	9/16 x 3/4
AUDE-12-3	1 1/4	3	3 5/8	2 1/2	4 1/4	3/8	5 1/2	1/2	9/16 x 3/4
AUDE-14-3	1 1/2	3 1/4	3 13/16	2 5/8	4 1/4	3/8	5 3/4	1/2	9/16 x 3/4
AUDE-20-3	2	3 1/2	4 5/16	2 3/8	4 1/4	3/8	5 7/8	1/2	9/16 x 3/4
AUDE-24-3	2 1/2	3 3/4	5 3/16	2 7/8	4 1/4	3/8	6 5/8	5/8	9/16 x 3/4
AUDE-30-3	3	4	5 13/16	2 5/8	4 1/4	7/16	6 5/8	5/8	9/16 x 3/4
AUDE-34-3	3 1/2	4 1/4	6 5/16	2 3/8	4 1/4	7/16	6 5/8	5/8	9/16 x 3/4
AUDE-40-3	4	4 1/4	6 15/16	2 3/8	4 1/4	7/16	6 3/4	5/8	9/16 x 3/4
AUDE-06-5	3/4	2 1/2	3	3	6 1/4	3/8	5 1/2	1/2	11/16 x 7/8
AUDE-10-5	1	2 3/4	3 1/4	2 3/8	6 1/4	3/8	5 1/8	1/2	11/16 x 7/8
AUDE-12-5	1 1/4	3	3 5/8	2 1/2	6 1/4	3/8	5 1/2	1/2	11/16 x 7/8
AUDE-14-5	1 1/2	3 1/4	3 13/16		6 1/4	3/8	5 3/4	1/2	11/16 x 7/8
AUDE-20-5	2	3 1/2	4 5/16	2 3/8	6 1/4	3/8	5 7/8	1/2	11/16 x 7/8
* AUDE-24-5	2 1/2	3 3/4	5 3/16	2 7/8	6 1/4	3/8	6 5/8	5/8	11/16 x 7/8

DATE 9-26-62

DWN BY KH CKD BY

APPROVED

SCALE

OUTDOOR BUS SUPPORTS & FITTINGS
 INSULATOR TO TUBE
 TYPE AUDE

ANDERSON BRASS WORKS, INC.

BIRMINGHAM,

ALABAMA

CAT. NO. AUDE TAB'N.

DWG. NO. C-4951

SHEET 1 OF 2

CATALOG NUMBER	BUS SIZE	DIMENSIONS IN INCHES							
		A	B	C	D	E	F	J	K
AUDE-30-5	3	4	5 ¹³ / ₁₆	2 ⁵ / ₈	6 ¹ / ₄	3 ³ / ₈	6 ⁵ / ₈	5 ⁵ / ₈	1 ¹¹ / ₁₆ x 7 ⁷ / ₈
AUDE-34-5	3 1/2	4 1/4	6 ⁵ / ₁₆	2 ³ / ₈	6 ¹ / ₄	3 ³ / ₈	6 ⁵ / ₈	5 ⁵ / ₈	1 ¹¹ / ₁₆ x 7 ⁷ / ₈
AUDE-40-5	4	4 1/4	6 ¹⁵ / ₁₆	2 ³ / ₈	6 ¹ / ₄	3 ³ / ₈	6 ⁵ / ₈	5 ⁵ / ₈	1 ¹¹ / ₁₆ x 7 ⁷ / ₈
AUDE-30-7	3	4	5 ¹³ / ₁₆	2 ³ / ₄	8 ¹ / ₂	1 ¹ / ₂	6 ³ / ₄	5 ⁵ / ₈	1 ¹³ / ₁₆ x 1 ¹ / ₁₆
AUDE-60-7	6	6	9 ¹ / ₁₆	2 ³ / ₄	8 ¹ / ₂	1 ¹ / ₂	9	5 ⁵ / ₈	1 ¹³ / ₁₆ x 1 ¹ / ₁₆
AUDE-40-7	4	4 1/4	6 ¹⁵ / ₁₆	2 ¹ / ₈	8 ¹ / ₂	1 ¹ / ₂	6 ³ / ₄	5 ⁵ / ₈	1 ¹³ / ₁₆ x 1 ¹ / ₁₆
AUDE-50-5	5	5	7 ¹⁵ / ₁₆	2 ⁵ / ₈	6 ¹ / ₄	3 ³ / ₈	7 ⁵ / ₈	5 ⁵ / ₈	1 ¹¹ / ₁₆ x 7 ⁷ / ₈

REVISIONS	
DATE	DESCRIPTION
9-9-85	ADD ALUDE STD 5" SD-S-10089
4	

REVISIONS	
DATE	DESCRIPTION
5-19-63	ADDED ITEM 3, 4 & 5
8-20-68	AUDE-30-7, 8" WAS 5 1/2"
9-17-70	AUDE AUDE-40-7

DATE 9-26-62
 DWN BY KH CKD BY
 APPROVED
 SCALE

OUTDOOR BUS SUPPORT
 INSULATOR TO TUBE
 TYPE AUDE

R/10x234

ANDERSON ELECTRIC CORP.
 BIRMINGHAM ALABAMA

CAT. NO. AUDE TAB'N. DWG. NO. C-4951